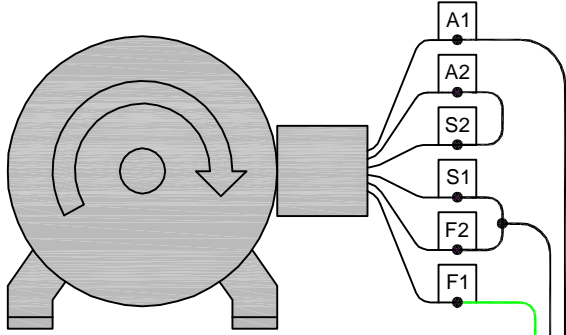


DC GENERATOR

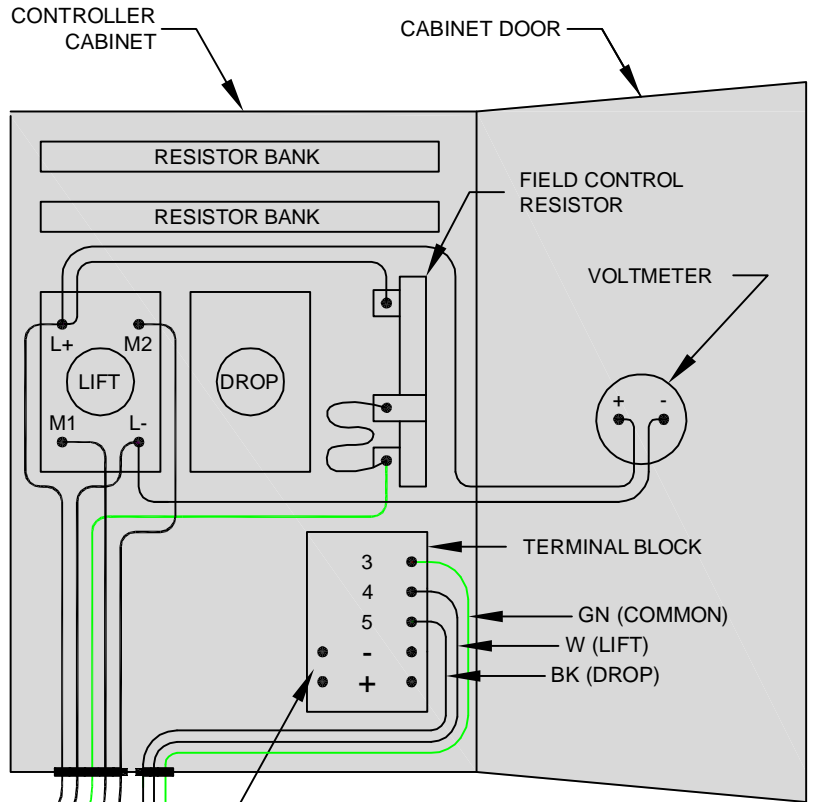


SHOWN FOR CLOCKWISE ROTATION
(FACING SHAFT)
FOR COUNTERCLOCKWISE ROTATION
INTERCHANGE LEADS A1 AND A2

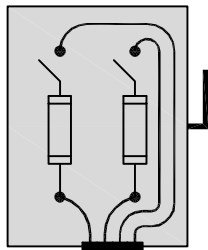
WIRING DIAGRAM

SIEB 5KW & 10KW MAGNET SYSTEMS
4296 MANUAL DROP CONTROLLER
SIZE 1 OR 2, 12v OR 24v for DRUM SWITCH

CONTROLLER

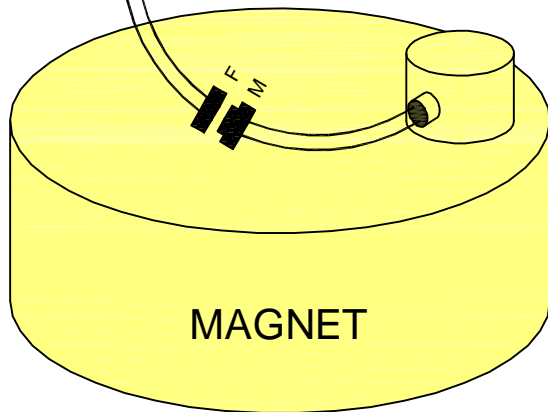


SAFETY DISCONNECT



8/2 CABLE

8/2 CABLE



MAGNET

DRUM SWITCH

NOTES:

1. **SAFETY FIRST! DISCONNECT ALL POWER SOURCES WHEN WIRING THE EQUIPMENT.**
2. CUSTOMER SUPPLIED POWER SOURCE. USE KEYED POWER. DO NOT TAKE DIRECTLY FROM BATTERY. THE CONTROLLER M/L NUMBER INDICATES IF THE CONTROLLER IS 12 VOLT OR 24 VOLT. **NEVER SUPPLY 24 VOLT POWER TO A 12 VOLT CONTROLLER!** THE DRUM SWITCH OPERATES WITH EITHER 12 VOLT OR 24 VOLT POWER.

CALL 219-924-3616 FOR ASSISTANCE



SIEB SALES & ENGR., INC.
10001 EXPRESS DR.
HIGHLAND, IN 46322
www.siebsales.com

REV. 072308