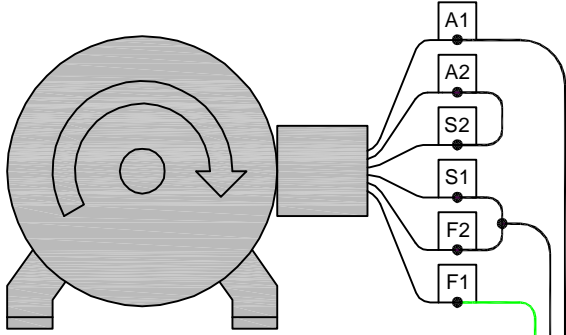


DC GENERATOR

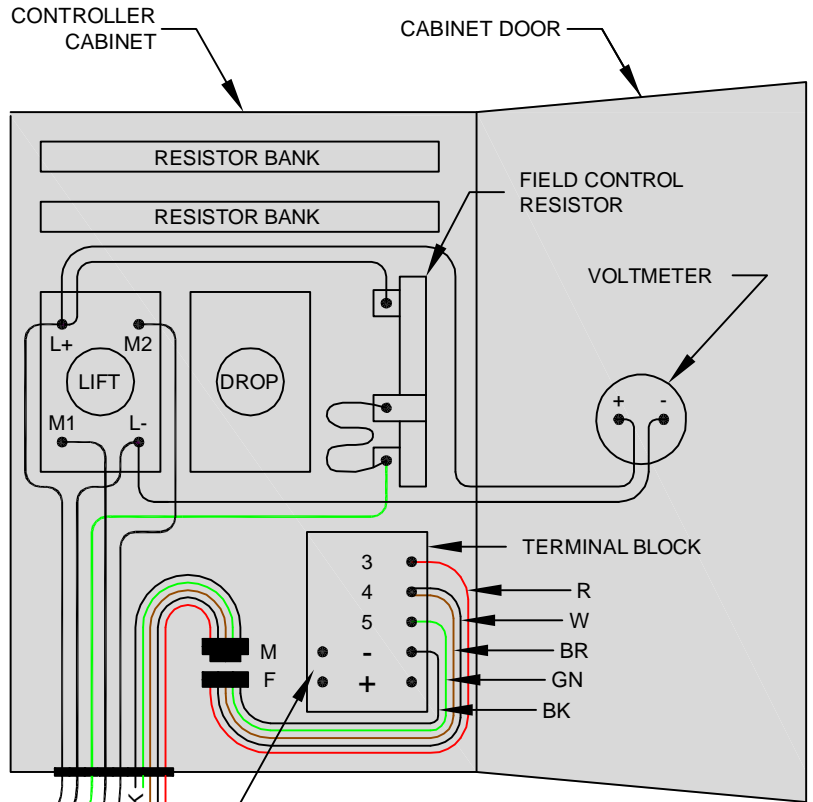


SHOWN FOR CLOCKWISE ROTATION
(FACING SHAFT)
FOR COUNTERCLOCKWISE ROTATION
INTERCHANGE LEADS A1 AND A2

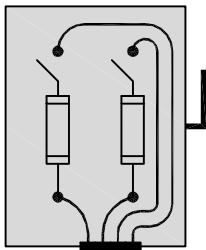
WIRING DIAGRAM

SIEB 5KW & 10KW MAGNET SYSTEMS
4296 MANUAL DROP CONTROLLER
SIZE 1 OR 2, 12v OR 24v for SIEB JOYSTICK HANDLE

CONTROLLER

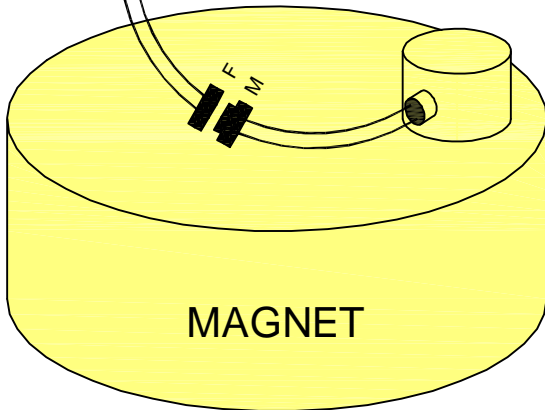


SAFETY DISCONNECT



8/2 CABLE

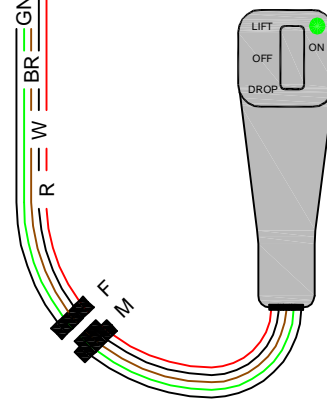
8/2 CABLE



MAGNET

10/3 CABLE (5KW)
8/3 CABLE (10KW)

20/7 CABLE



JOY
STICK
HANDLE

NOTES:

1. SAFETY FIRST! DISCONNECT ALL POWER SOURCES WHEN WIRING THE EQUIPMENT.
2. CUSTOMER SUPPLIED POWER SOURCE. USE KEYED POWER. DO NOT TAKE DIRECTLY FROM BATTERY. THE CONTROLLER M/L NUMBER INDICATES IF THE CONTROLLER IS 12 VOLT OR 24 VOLT. NEVER SUPPLY 24 VOLT POWER TO A 12 VOLT CONTROLLER! THE JOY STICK HANDLE OPERATES WITH EITHER 12 VOLT OR 24 VOLT POWER.