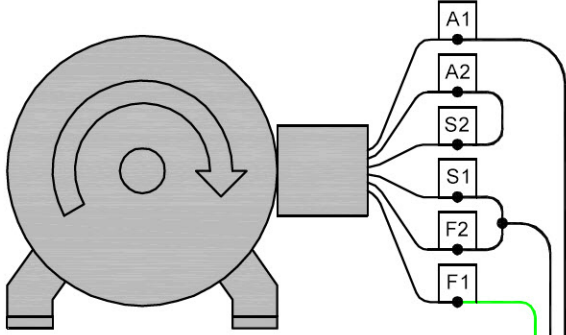


# DC GENERATOR



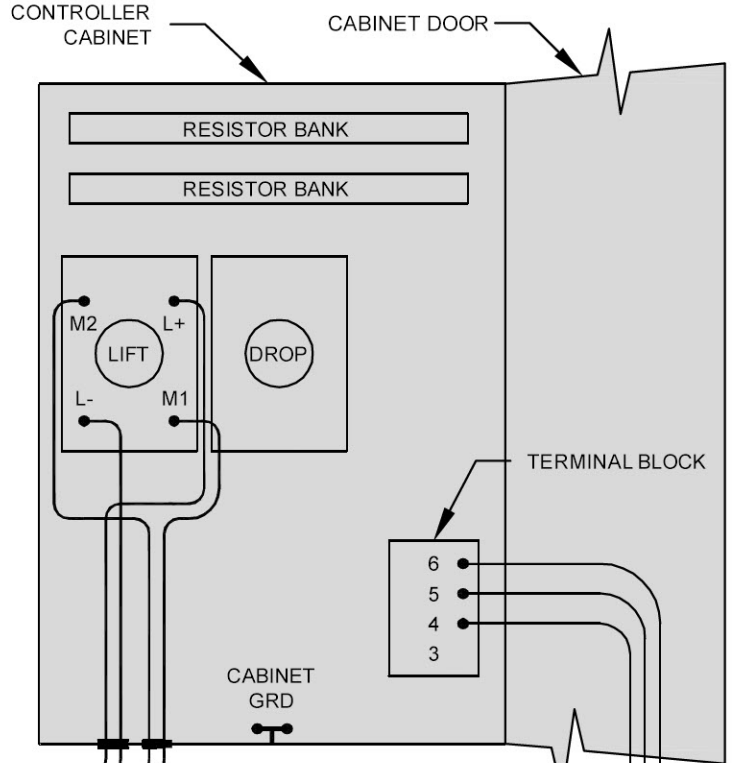
SHOWN FOR CLOCKWISE ROTATION  
(FACING SHAFT)  
FOR COUNTERCLOCKWISE ROTATION  
INTERCHANGE LEADS A1 AND A2

10/3 CABLE (5KW)  
8/3 CABLE (10KW)

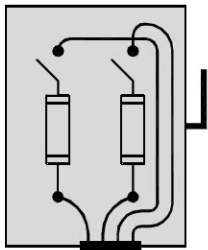
# WIRING DIAGRAM

SIEB 5KW & 10KW MAGNET SYSTEMS  
4295 AUTOMATIC DROP CONTROLLER  
SIZE 1 OR 2, 230 VDC for MAINTAINED MASTER SWITCH  
and METER PACK

## CONTROLLER



## SAFETY DISCONNECT

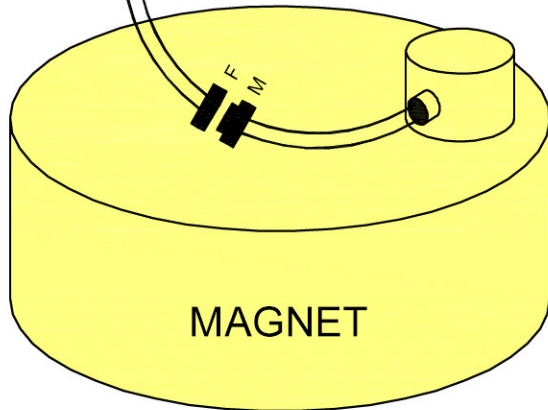


SEE  
METER  
PACK  
DIAGRAM

8/2 CABLE

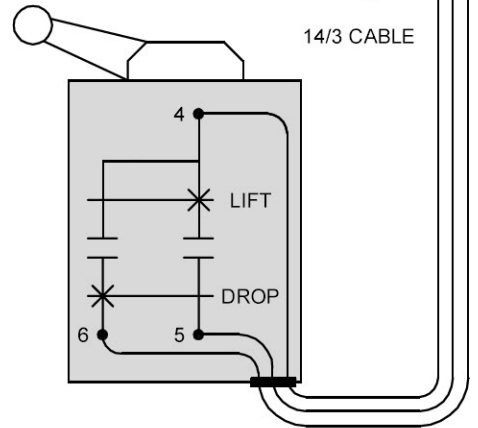
8/2 CABLE

8/2 CABLE



MAGNET

## MAGNET MASTER SWITCH



### NOTES:

1. SAFETY FIRST! DISCONNECT ALL POWER SOURCES WHEN WIRING THE EQUIPMENT.
2. WARNING! FULL 230 VDC AT MASTER SWITCH.



SIEB SALES & ENGR., INC.  
10001 EXPRESS DR.  
HIGHLAND, IN 46322  
www.siebsales.com

CALL 219-924-3616  
FOR ASSISTANCE

REV. 072308

